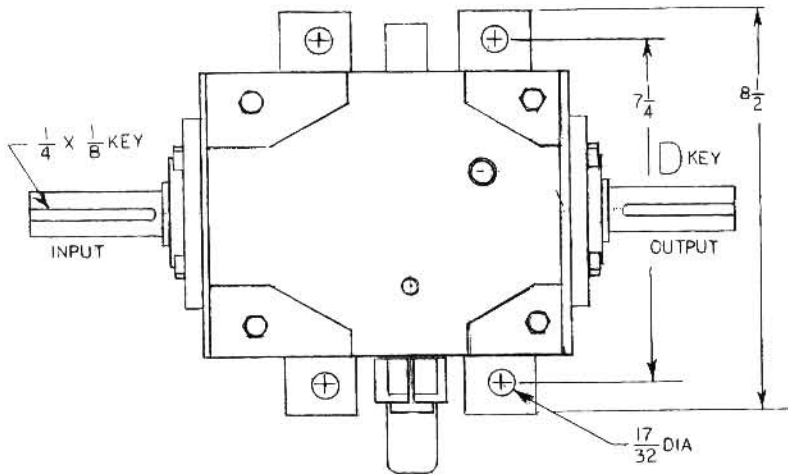


# Valley Gear V3000 4 Speed Transmission



## Valley Gear, Bad Axe MI

Model : V3000

Capacity: 1 HP to 10 HP

Max RPM 1750

### Standard Ratios

|     |              |
|-----|--------------|
| 1st | 5.470:1 (LO) |
| 2nd | 3.039:1      |
| 3rd | 1.824:1      |
| 4th | 1.000:1 (HI) |

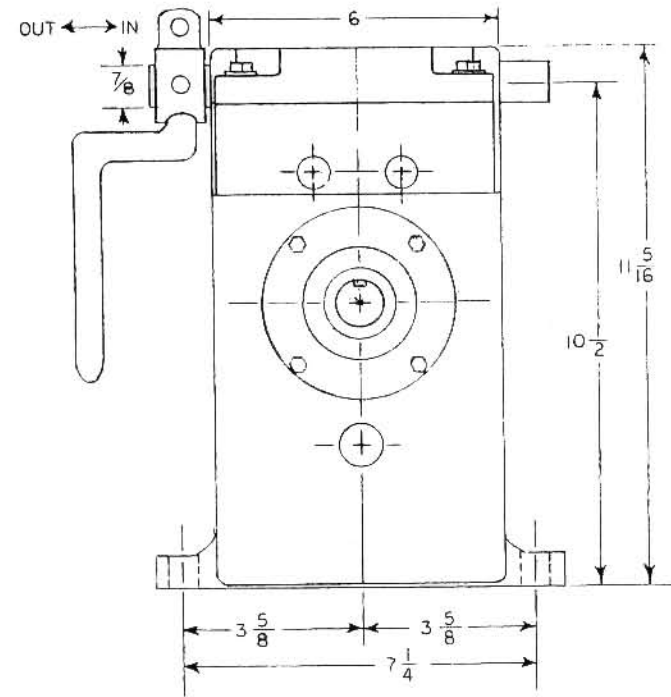
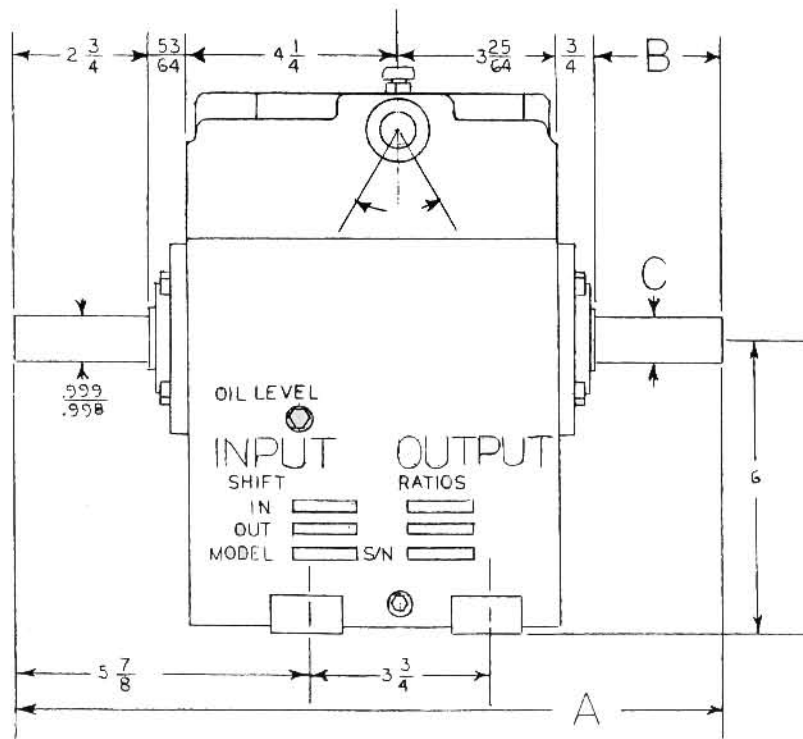
### Variable Dimensions

|     |                    |
|-----|--------------------|
| (A) | _____              |
| (B) | _____              |
| (C) | _____              |
| (D) | x _____ Output Key |

Torque: (63025 x HP) / RPM = Lbs.

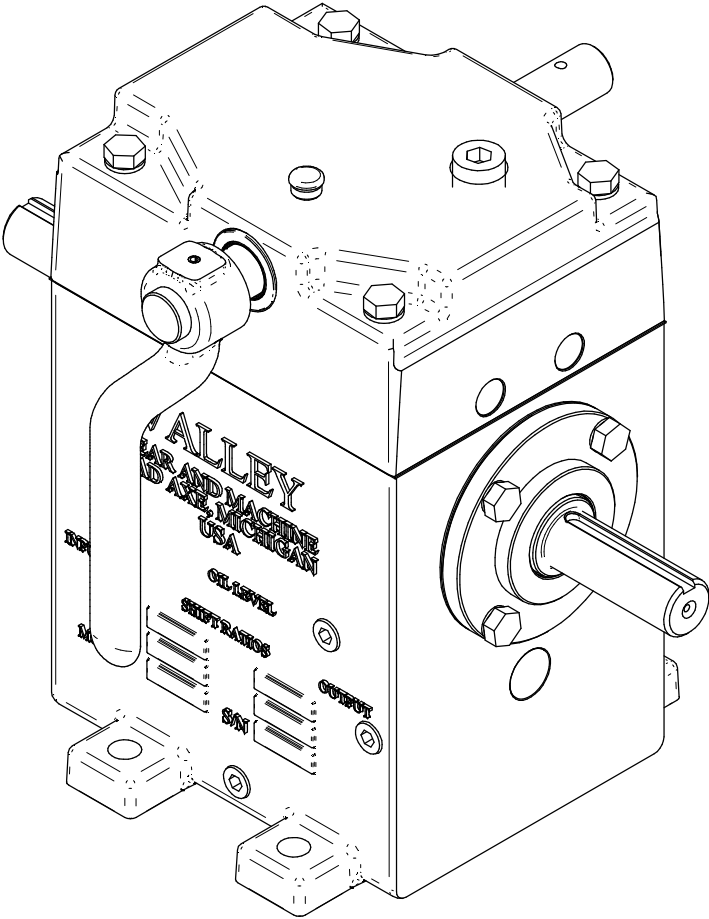
Series: \_\_\_\_\_

Speed: Input RPM / Ratio = Output RPM



Note: Shafting, Bearings and the application will effect unit Capacity.

# Valley Gear & Machine Inc V3000 Gear Box



| REVISION HISTORY |             |      |          |
|------------------|-------------|------|----------|
| REV              | DESCRIPTION | DATE | APPROVED |
|                  |             |      |          |


4 Speed Transmission

**Ratios:**  
1.000:1  
1.842:1  
3.039:1  
4.012:1

**Capacity:**  
1-10 HP @ 1750 RPM

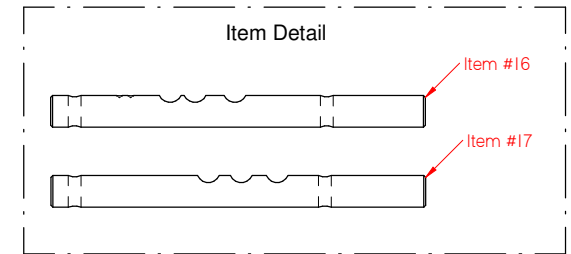
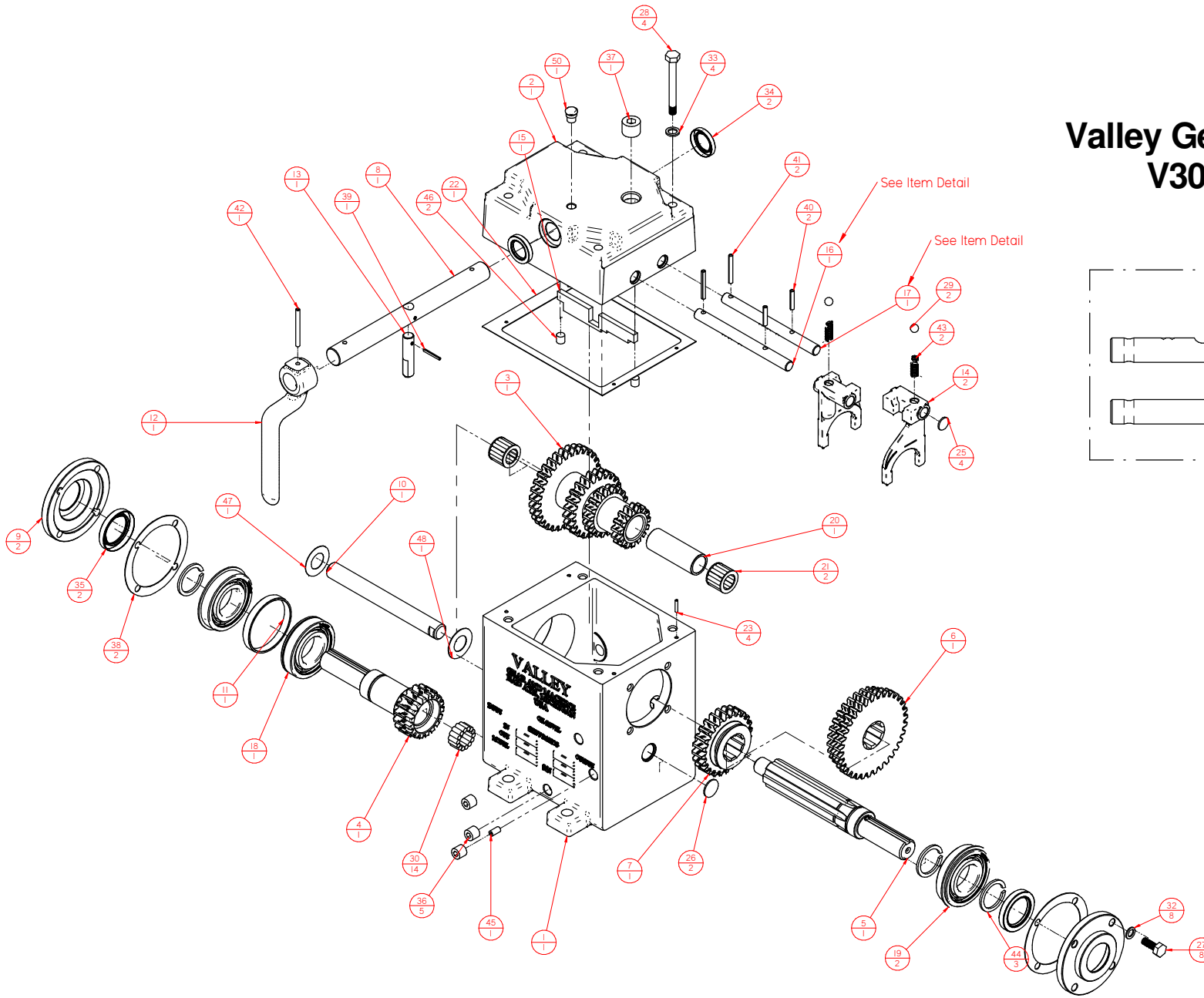
**Input Shaft:**  
1"  
**Output Shaft:**  
1"

**Lubrication:**  
90 Weight Gear Oil

|   |        |   |   |
|---|--------|---|---|
| Printed Date<br>5/6/2024  |        |  |   |
| NAME  | DATE   |   |   |
| DESIGN  | 5/2/24 | 5/6/2024  | 314 Chiksey St.<br>East Troy, MI 48106<br>(248) 464-4177                                  |
| CHECKED   |        |   | TITLE   |
| ENG APPR  |        |   | V3000 Gear Box  |
| MECH APPR   |        |   |   |
| UNLESS OTHERWISE SPECIFIED<br>DIMENSIONS ARE IN INCHES<br>ANGLES ±0.25°<br>2 PL ±0.01 3 PL ±0.005 |        |   | SIZE: DWG NO<br><b>A1</b><br>File Name: V3000 Gear Box.dwg<br>SCALE: WEIGHT: SHEET 1 OF 4 |

| REVISION HISTORY |             |      |          |
|------------------|-------------|------|----------|
| REV              | DESCRIPTION | DATE | APPROVED |
|                  |             |      |          |

# Valley Gear & Machine Inc V3000 Gear Box




|   |        |              |   |
|---|--------|--------------|---|
| Printed Date<br>5/6/2024  |        |              |   |
| DRWN  | NAME   | DATE         | <small>344 Chickadee St.<br/>P.O. Box 9626<br/>Elyria, OH 44024</small> |
| CHECKED   |        |              | TITLE   |
| ENG APPR  |        |              | V3000 Gear Box  |
| MECH APPR   |        |              | SIZE: DWG NO  |
| UNLESS OTHERWISE SPECIFIED<br>DIMENSIONS ARE IN INCHES<br>ANGLES ±0.25°<br>2 PL ±0.01 3 PL ±0.005 |        |              | REV<br>1  |
| SCALE   | WEIGHT | SHEET 2 OF 4 |   |

| REVISION HISTORY |             |      |          |
|------------------|-------------|------|----------|
| REV              | DESCRIPTION | DATE | APPROVED |
|                  |             |      |          |

| Item Number | Part Number   | Description                | Quantity |
|-------------|---------------|----------------------------|----------|
| 1           | V3000-01      | Housing                    | 1        |
| 2           | V3000-02      | Cover                      | 1        |
| 3           | V3000-03      | Cluster Gear               | 1        |
| 4           | V3000-04      | Pinion                     | 1        |
| 5           | V3000-05      | Output Shaft               | 1        |
| 6           | V3000-06      | Double Gear                | 1        |
| 7           | V3000-07      | Single Gear                | 1        |
| 8           | V3000-08      | Shifter Shaft              | 1        |
| 9           | V3000-09      | Retainer Cap               | 2        |
| 10          | V3000-10      | Counter Shaft              | 1        |
| 11          | V3000-11      | Bearing Spacer             | 1        |
| 12          | V3000-12      | Handle                     | 1        |
| 13          | V3000-13      | Shift Finger               | 1        |
| 14          | V3000-14      | Shift Fork                 | 2        |
| 15          | V3000-15      | Guide Bar                  | 1        |
| 16          | V3000-16      | Shift Rod                  | 1        |
| 17          | V3000-17      | Shift Rod                  | 1        |
| 18          | V3000-19      | Bearing With Out Snap Ring | 1        |
| 19          | V3000-20      | Bearing With Snap Ring     | 2        |
| 20          | V3000-31      | Cluster Spacer             | 1        |
| 21          | V3000-53      | Needle Bearing             | 2        |
| 22          | V3000-21      | Cover Gasket               | 1        |
| 23          | V3000-22      | Split Pin                  | 4        |
| 25          | V3000-23      | Shifter Shaft Soft Plug    | 4        |
| 26          | 7/8 Soft Plug | Cluster Shaft Soft Plug    | 2        |
| 27          | 3/8-16 x 7/8  | Hex Head Bolt              | 8        |
| 28          | V3000-26      | Hex Head Bolt              | 4        |
| 29          | V3000-27      | Roller Ball                | 2        |
| 30          | V3000-28      | Roller Bearing             | 14       |
| 32          | V3000-29      | 5_16 Seal Washer           | 8        |
| 33          | V3000-30      | 3_8 Seal Washer            | 4        |
| 34          | V3000-32      | Shift Shaft Seal           | 2        |
| 35          | V3000-33      | Input-Output Seal          | 2        |
| 36          | 1/4 - 18 NPT  | 1_4-18 Pipe Plug           | 5        |
| 37          | V3000-35      | 1_2-14 Pipe Plug           | 1        |
| 38          | V3000-36      | Retainer Cap Gasket        | 2        |
| 39          | V3000-37      | 1_8 x 1 Roll Pin           | 1        |
| 40          | V3000-38      | 3_16 x 1 Roll Pin          | 2        |
| 41          | V3000-39      | 3_16 x 1 1_2 Roll Pin      | 2        |
| 42          | V3000-40      | 3_16 x 2 Roll Pin          | 1        |
| 43          | V3000-41      | Poppet Spring              | 2        |
| 44          | V3000-42      | Snap Ring                  | 3        |
| 45          | 1/4-20 x 1/2  | 1_4-20 Set Screw           | 1        |
| 46          | V3000-44      | 3_8-16 Set Screw           | 2        |
| 47          | V3000-45      | Thrust Washer              | 1        |
| 48          | V3000-46      | Thrust Washer              | 1        |
| 50          | V3000-18      | Breather Vent              | 1        |

## Valley Gear & Machine Inc V3000 Gear Box Customer Parts List

|                          |      |      |   |  |
|--------------------------|------|------|---|--|
| Printed Date<br>5/6/2024 |      |      |    |  |
| DRWN                     | NAME | DATE |   |  |
| CHECKED                  |      |      | <small>314 Chickadee St.<br/>Bentley, MI 49515<br/>1-800-441-6177</small>   |  |
| ENG APPR                 |      |      | TITLE<br>V3000 Gear Box   |  |
| MEGR APPR                |      |      | SIZE: DWG NO. <span style="float: right;">REV</span><br><b>A1</b> <span style="float: right;">1</span><br><small>UNLESS OTHERWISE SPECIFIED<br/>DIMENSIONS ARE IN INCHES<br/>ANGLES ±0.25°</small><br>File Name: V3000 Gear Box.dwg<br>2 PL ±0.01    3 PL ±0.005    SCALE:    WEIGHT:    SHEET 4 OF 4 |  |