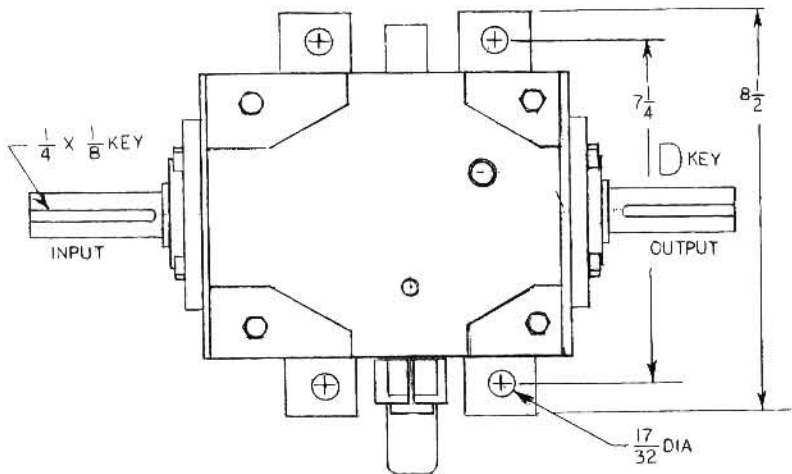
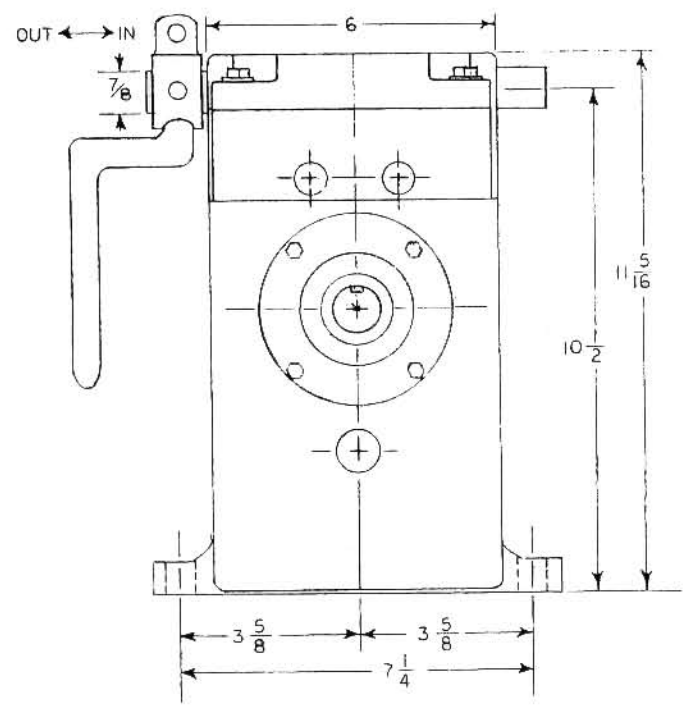
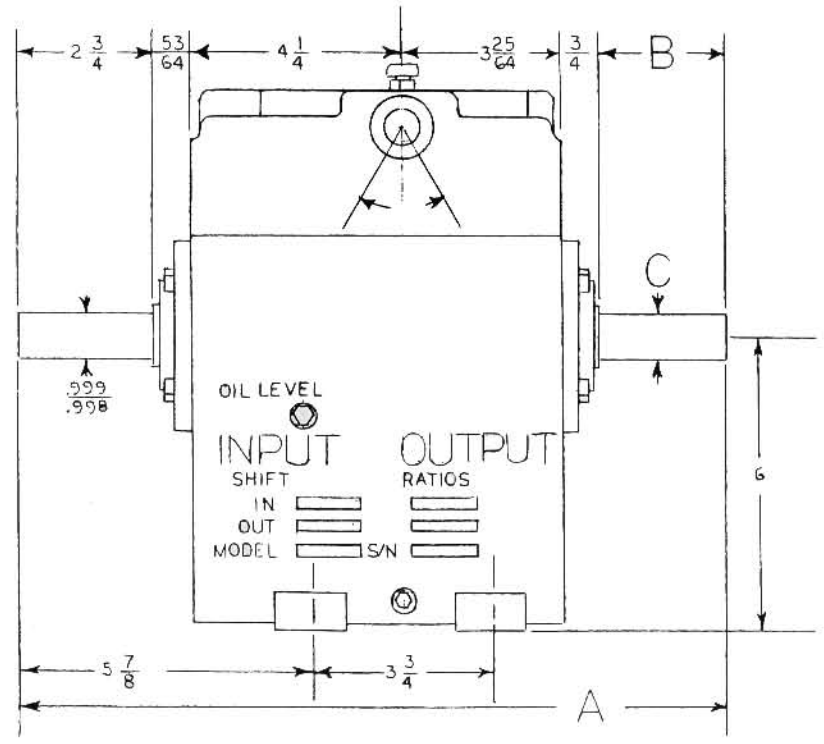


Valley Gear V3000 4 Speed Transmission



Valley Gear, Bad Axe MI		Model : V3000
Capacity: 1 HP to 10 HP		Max RPM 1750
Standard Ratios		Variable Dimensions
1st	5.470:1 (LO)	(A) _____
2nd	3.039:1	(B) _____
3rd	1.824:1	(C) _____
4th	1.000:1 (HI)	(D) x _____ Output Key
Torque: (63025 x HP) / RPM = Lbs.		Series: _____
Speed: Input RPM / Ratio = Output RPM		



Note: Shafting, Bearings and the application will effect unit Capacity.