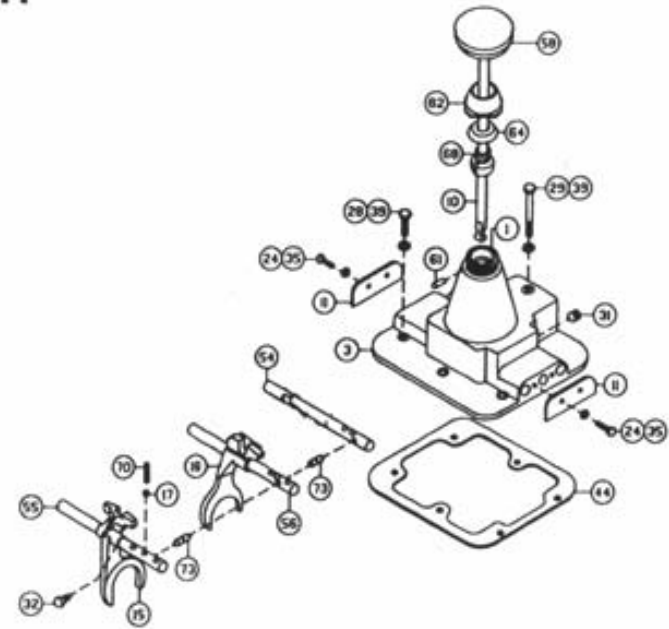
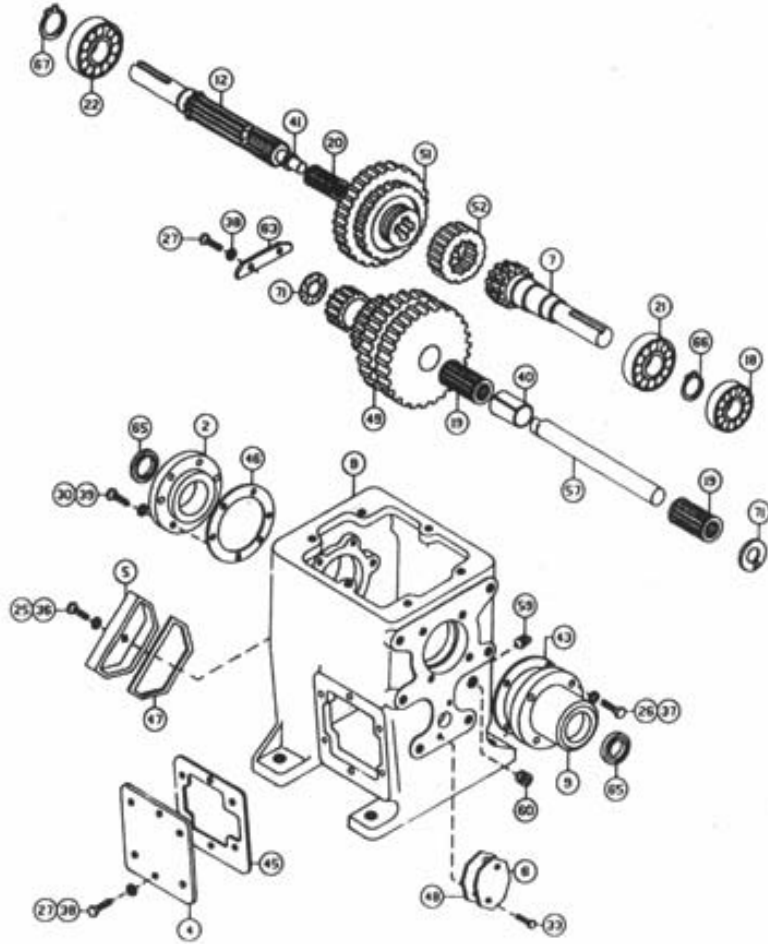


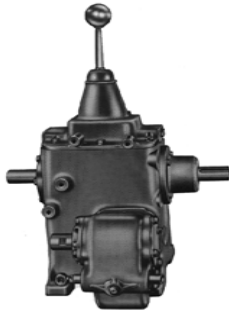
**Valley  
Gear**  
& Machine, Inc.  
989-269-8177

## MODEL 4-MT



**MODEL** 4-MT  
**PART NO.** R150204  
**HP RATING** 50 @ 1,250 RPM  
**SERIES** 4M  
**SPEEDS** 4 Forward

Ratios  
 1.000:1  
 1.689:1  
 3.095:1  
 6.410:1



<i>Item</i>	<i>Part No</i>	<i>Description</i>	<i>Qty</i>	<i>Item</i>	<i>Part No</i>	<i>Description</i>	<i>Qty</i>
1	308052	Bushing	1	37	418163	Lockwasher	6
2	316070	Bearing Cap	1	38	418179	Washer	8
3	328052	Shifter Head	1	39	418184	Washer	16
4	328086	Cover Plate	1	40	418507	Spacer-Gear	1
5	328102	Cover	1	41	418508	Spacer-Ring	1
6	328103	Cover	1	43	442029	Gasket	1
7	334062	Drive Gear	1	44	442031	Gasket	1
8	338098	Housing-Gear	1	45	442062	Gasket	1
9	338099	Housing-Brg	1	46	442156	Gasket	1
10	344038	Lever-Shifter	1	47	442173	Gasket	1
11	350538	Cover	2	48	442174	Gasket	1
12	356931	Shaft	1	49	444022	Gear-Cluster	1
15	358047	Yoke-Shifter	1	51	444024	Gear-Sliding	1
16	358048-A	Yoke-Shifter	1	52	444025	Gear-Sliding	1
17	400003	Ball Poppet	3	54	444027	Shaft-Shift	1
18	402013	Bearing Cap	1	55	444028	Shaft-Shift	1
19	402018	Bearing-Roller	2	56	444029	Shaft-Shift	1
20	402019	Bearing-Roller	1	57	444032	Shaft-Gear	1
21	402022	Bearing-Ball	1	58	452002	Knob	1
22	402023	Bearing-Ball	1	59	468011	Pipe Plug	2
24	414037	Cap Screw	4	60	468018	Pipe Plug	1
25	414040	Cap Screw	1	61	470010	Dowel Pin	1
26	414139	Cap Screw	6	62	472005	Cap	1
27	414230	Cap Screw	8	63	474022	Retainer Plate	1
28	414281	Cap Screw	9	64	479003	Retainer Shaft	1
29	414244	Cap Screw	1	65	486068	Oil Seal	2
30	414282	Cap Screw	6	66	490009	Snap Ring	1
31	414971	Screw-Poppet	1	67	490015	Snap Ring	1
32	416137	Set Screw	3	68	494014	Spring	1
33	416236	Screw	2	70	494016	Spring	4
35	418149	Lockwasher	4	71	518007	Thrustwasher	2
36	418154	Washer	1	73	530002	Pawl-Shifter	2

Need Dimension/Spec Sheet for 4-MT