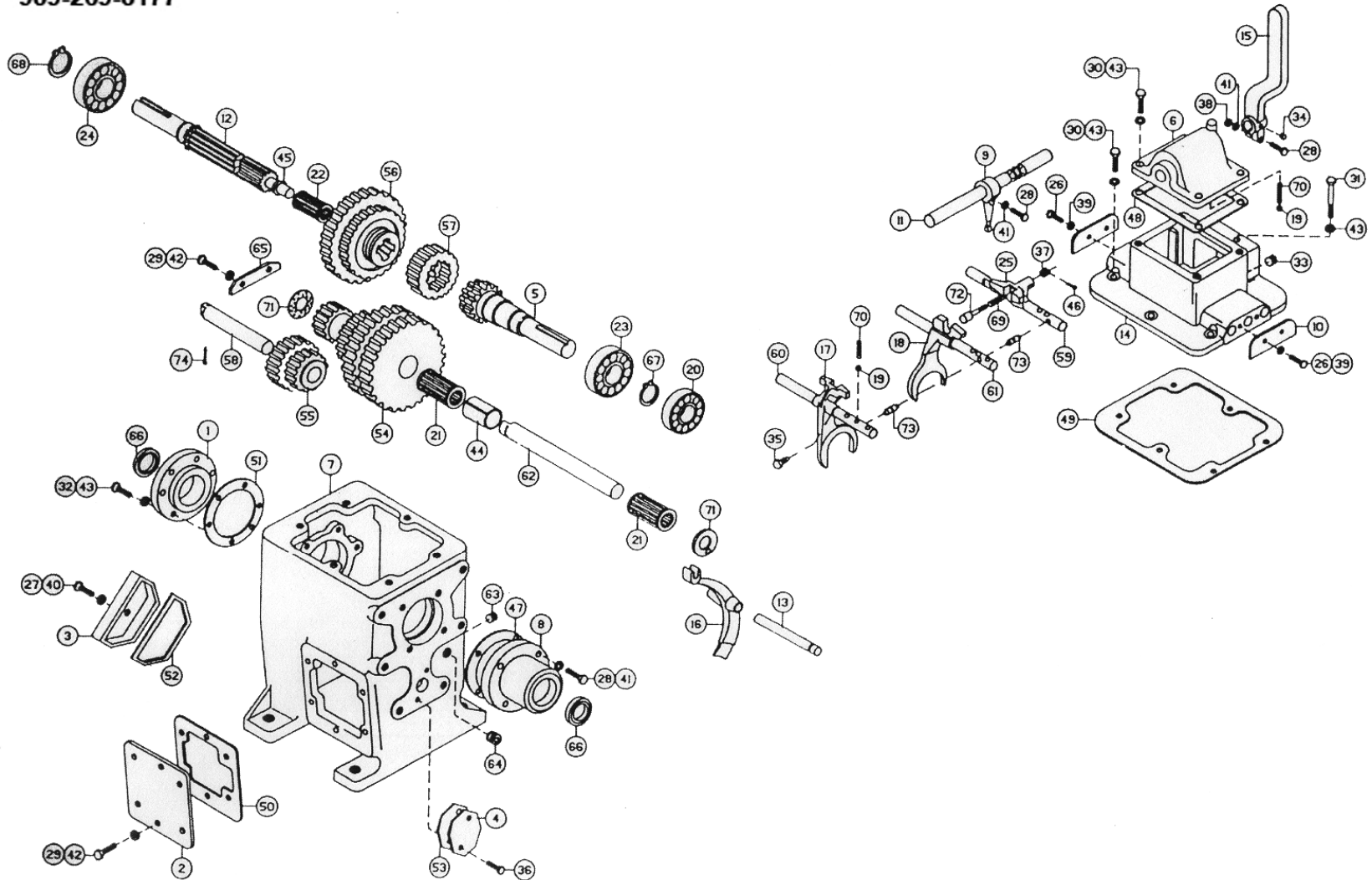




& Machine, Inc.
989-269-8177

MODEL 5-MS



MODEL 5-MS
PART NO. R150101
HP RATING 50 @ 1,250 RPM
SERIES 5-M
SPEEDS 4 Forward/1 Rev.

Ratios
 1.000:1
 1.689:1
 3.095:1
 6.410:1
 7.812:1 Rev

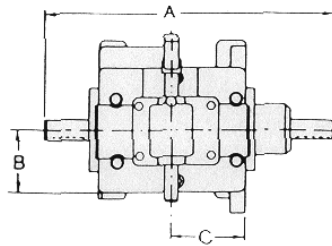
<i>Item</i>	<i>Part No.</i>	<i>Description</i>	<i>Qty</i>	<i>Item</i>	<i>Part No.</i>	<i>Description</i>	<i>Qty</i>
1	316070	Bearing Cap	1	38	418022	Nut	1
2	328086	Cover Plate	1	39	418149	Lockwasher	4
3	328102	Cover	1	40	418154	Washer	1
4	328103	Cover	1	41	418163	Lockwasher	6
5	334062	Drive Gear	1	42	418179	Washer	8
6	338097	Shifter Housing	1	43	418184	Washer	16
7	338098	Housing-Gear	1	44	418507	Spacer-Gear	1
8	338099	Housing-Brg	1	45	418508	Spacer-Ring	1
9	344007	Shift Finger	1	46	424001	Cotter Pin	1
10	350538	Cover	2	47	442029	Gasket	1
11	356907	Shifter Shaft	1	48	442030	Gasket	1
12	356931	Shaft	1	49	442031	Gasket	1
13	357031	Shaft-Shifter	1	50	442062	Gasket	1
14	358023	Shifter Head	1	51	442156	Gasket	1
15	358031	Handle	1	52	442173	Gasket	1
16	358046	Shifter Fork	1	53	442174	Gasket	1
17	358047	Yoke-Shifter	1	54	444022	Gear-Cluster	1
18	358048	Yoke-Shifter	1	55	444023	Gear-Rev. Idler	1
19	400003	Ball Poppet	3	56	444024	Gear-Sliding	1
20	402013	Bearing Cap	1	57	444025	Gear-Sliding	1
21	402018	Bearing-Roller	2	58	444026	Shaft-Idler	1
22	402019	Bearing-Roller	1	59	444027	Shaft-Shift	1
23	402022	Bearing-Ball	1	60	444028	Shaft-Shift	1
24	402023	Bearing-Ball	1	61	444029	Shaft-Shift	1
25	408005	Bracket	1	62	444032	Shaft-Gear	1
26	414037	Cap Screw	4	63	468011	Pipe Plug	2
27	414040	Cap Screw	1	64	468018	Pipe Plug	1
28	414139	Cap Screw	6	65	474022	Retainer Plate	1
29	414230	Cap Screw	8	66	486068	Oil Seal	2
30	414281	Cap Screw	9	67	490009	Snap Ring	1
31	414244	Cap Screw	1	68	490015	Snap Ring	1
32	414282	Cap Screw	6	69	494015	Spring	1
33	414971	Screw-Poppet	1	70	494016	Spring	4
34	416057	Set Screw	1	71	518007	Thrustwasher	2
35	416137	Set Screw	3	72	530001	Plunger	1
36	416236	Screw	2	73	530002	Pawl-Shifter	2
37	418012	Nut-Castellated	1	74	424006	Cotter Pin	1



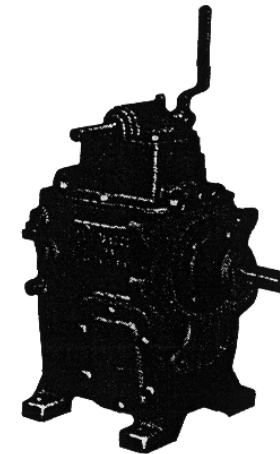
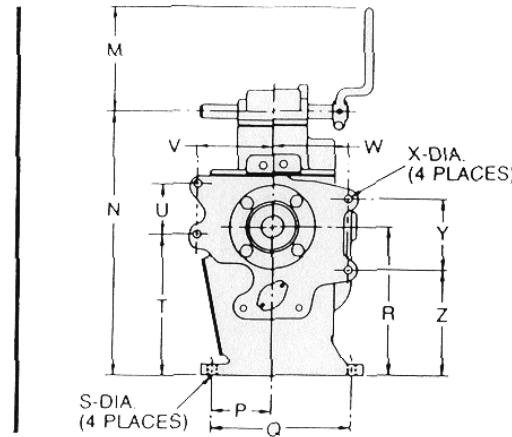
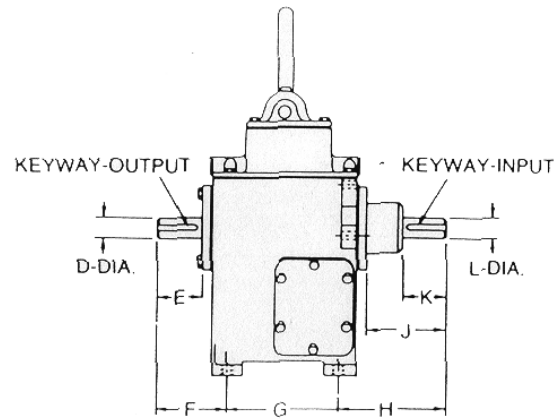
& Machine, Inc.

989-269-8177

Model 5MS



SPECIFICATIONS							
Model No.	Rating at 1200 RPM	Input to Output Ratios					Approx. Weight Alum. Alloy
		Low	2nd	3rd	High	Reverse	
5M	50 HP	1:156	1:323	1:592	1:1	1:128	78 lbs.



LETTERED DIMENSIONS													
Model	A Inches MM	B Inches MM	C Inches MM	D Inches MM	E Inches MM	F Inches MM	G Inches MM	H Inches MM	J Inches MM	K Inches MM	L Inches MM	M Inches MM	N Inches MM
5MS	17.44 442.9	3.87 98.4	4.50 114.3	1.25 31.7	2.75 69.8	4.25 107.9	7.00 177.8	6.19 157.1	4.56 115.9	2.50 63.5	1.25 31.7	6.44 163.5	16.53 419.9
	P	Q	R	S	T	U	V	W	X	Y	Z	Keyway Input	Keyway Output
	3.75 94.0	8.50 215.9	9.31 236.5	.62-11UNC 3B THD.	8.81 223.8	3.06 77.8	4.50 114.3	5.00 127.0	.59 15.1	4.69 119.0	6.62 168.3	.31 (W) .16 (D) 2.25 (L)	.31 (W) .16 (D) 2.25 (L)