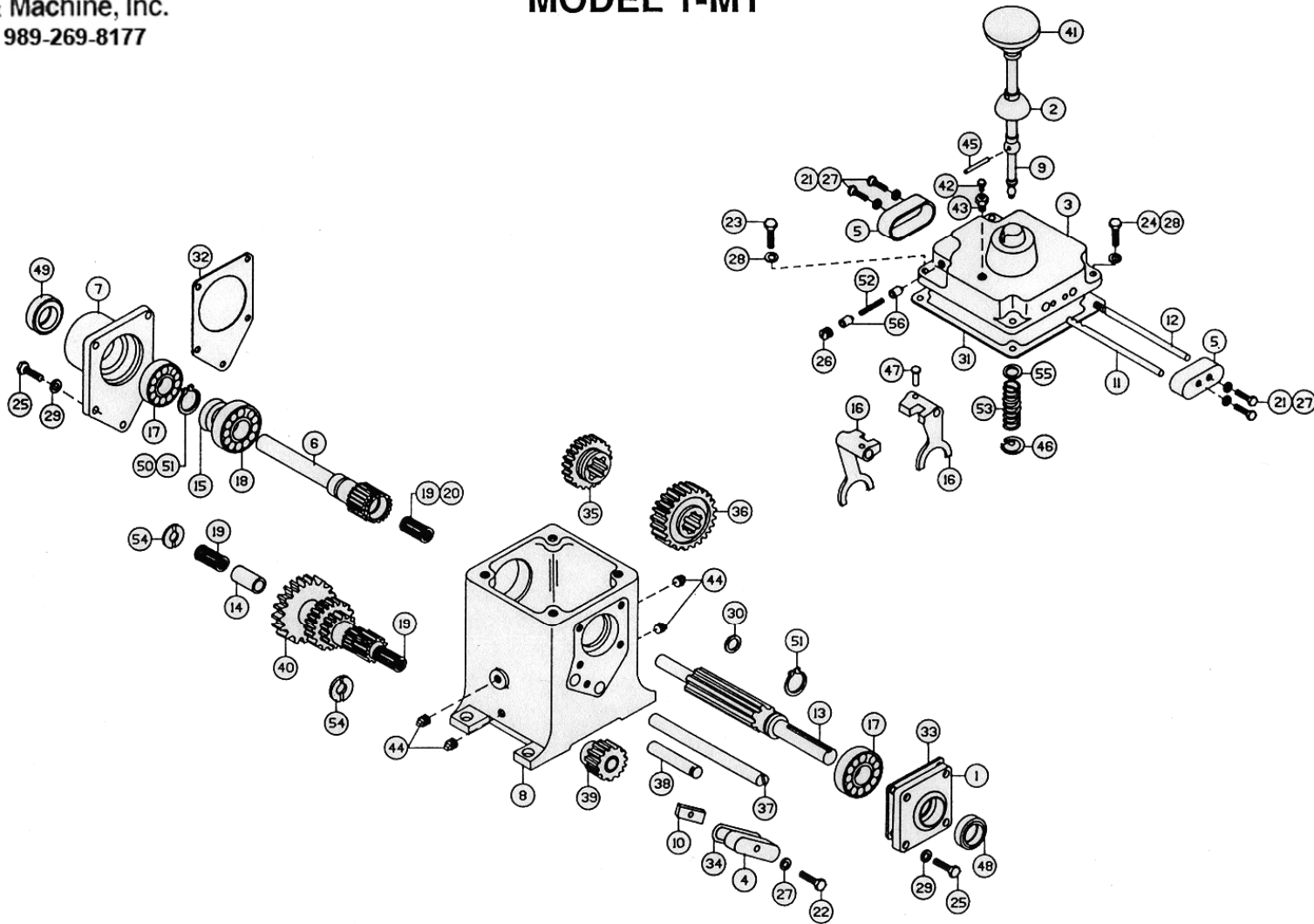
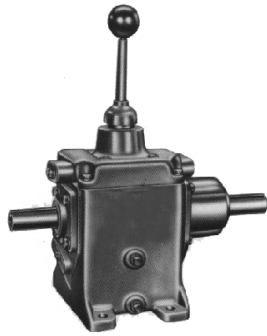


MODEL 1-MT



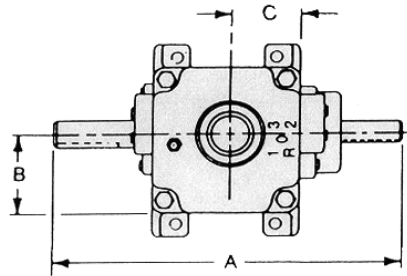
MODEL 1-MCT
PART NO. R150013
HP RATING 30 @ 1,250 RPM
SERIES 1-M
SPEEDS 3 Forward / 1 Rev.

Ratios
 1.000:1
 1.852:1
 3.125:1
 3.745:1 Rev.

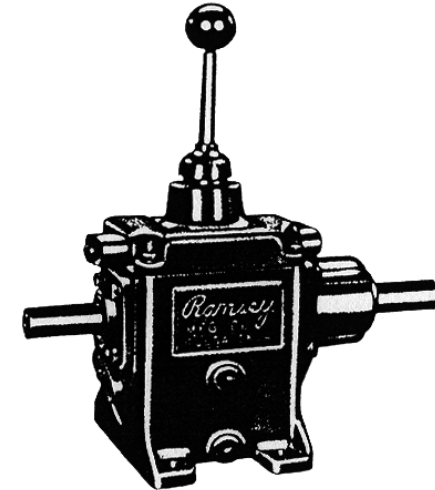
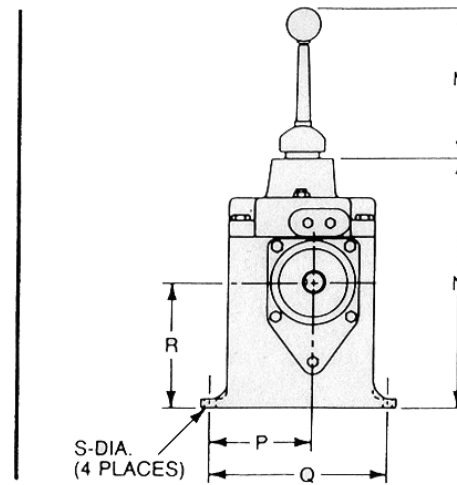
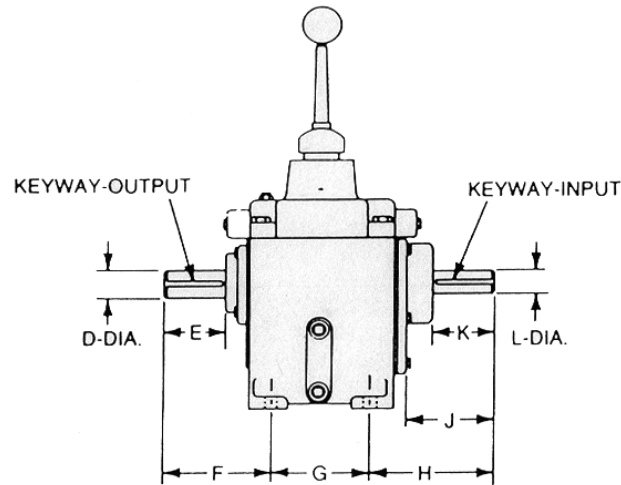


<i>Item</i>	<i>Part No</i>	<i>Description</i>	<i>Qty</i>	<i>Item</i>	<i>Part No</i>	<i>Description</i>	<i>Qty</i>
1	316047	Bearing Ret.	1	29	418184	Washer-Flat	9
2	316050	Cover	1	30	418506	Spacer	1
3	328025	Cover-Top	1	31	442023	Gasket Cover	1
4	328039	Cap-Shift Head	1	32	442027	Gasket-Bearing	1
5	328040	Cap-Shift Shaft	2	33	442028	Gasket-Bearing	1
6	334041	Gear-Main Drive	1	34	442082	Gasket-Cover	1
7	352013	Brg. Housing	1	35	444014	Gear-Int. Sliding	1
8	338035	Housing	1	36	444015	Gear-Sliding	1
9	344012	Shift Lever	1	37	444016	Shaft-Gear	1
10	352016	Ret. Shaft	1	38	444017	Shaft-Gear	1
11	356920	Shift-Shaft	2	39	444018	Gear-Idler	1
12	356921	Shift-Shaft	1	40	444019	Cluster Gear	1
13	356934	Main Shaft	1	41	452002	Knob	1
14	362044	Spacer Bearing	1	42	456008	Relief Fitting	1
15	362063	Spacer Bearing	1	43	468002	Reducer	1
16	370013	Yoke-Shifter	2	44	468011	Pipe Plug	1
17	402013	Bearing-Ball	2	45	470014	Dowel Pin	1
18	402014	Bearing Ball	1	46	479001	Spring-Retainer	1
19	402020	Bearing-Roller	2	47	480002	Rivet	2
20	402034	Bearing-Roller	1	48	486019	Oil Seal	1
21	414040	Cap Screw	4	49	486068	Oil Seal	1
22	414039	Cap Screw	1	50	490014	Snap Ring	1
23	414069	Cap Screw	1	51	490015	Snap Ring	1
24	414111	Cap Screw	3	52	494012	Spring Lock	1
25	414281	Cap Screw	9	53	494023	Spring-Shifter	1
26	414971	Screw-Poppet	1	54	518002	Thrust Washer	2
27	418154	Lockwasher	5	55	518010	Washer	1
28	418163	Lockwasher	4	56	530044	Poppet	2

Models 1MT and 1MCT



SPECIFICATIONS							
Model No.	Rating at 1200 RPM	Input to Output Ratios				Approx. Weight	
		Low	2nd	High	Reverse	Iron	Alum. Alloy
1M	30 HP	1:320	1:540	1:1	1:267	66 lbs.	36 lbs.



LETTERED DIMENSIONS																			
Model	A Inches MM	B Inches MM	C Inches MM	D Inches MM	E Inches MM	F Inches MM	G Inches MM	H Inches MM	J Inches MM	K Inches MM	L Inches MM	M Inches MM	N Inches MM	P Inches MM	Q Inches MM	R Inches MM	S(DIA) Inches MM	Keyway Input	Keyway Output
1MT	16.12 409.6	3.00 76.2	3.12 79.4	1.25 31.75	2.62 66.7	4.62 117.5	4.12 104.8	7.37 187.3	5.81 147.6	3.00 76.2	1.37 34.9	7.00 177.8	11.00 300.0	4.56 115.9	7.87 200.0	5.69 144.4	.53 13.5	.31 (W) .16 (D) 2.75 (L)	.25 (W) .12 (D) 2.44 (L)
1MCT	16.19 411.1	3.00 76.2	3.12 79.4	1.12 28.6	2.81 71.4	4.81 124.8	4.12 104.8	7.25 184.1	5.69 144.4	2.69 68.2	1.00 25.4	7.00 177.8	11.00 300.0	4.56 115.9	7.87 200.0	5.69 144.4	.53 13.5	.25 (W) .12 (D) 2.50 (L)	.25 (W) .12 (D) 2.62 (L)