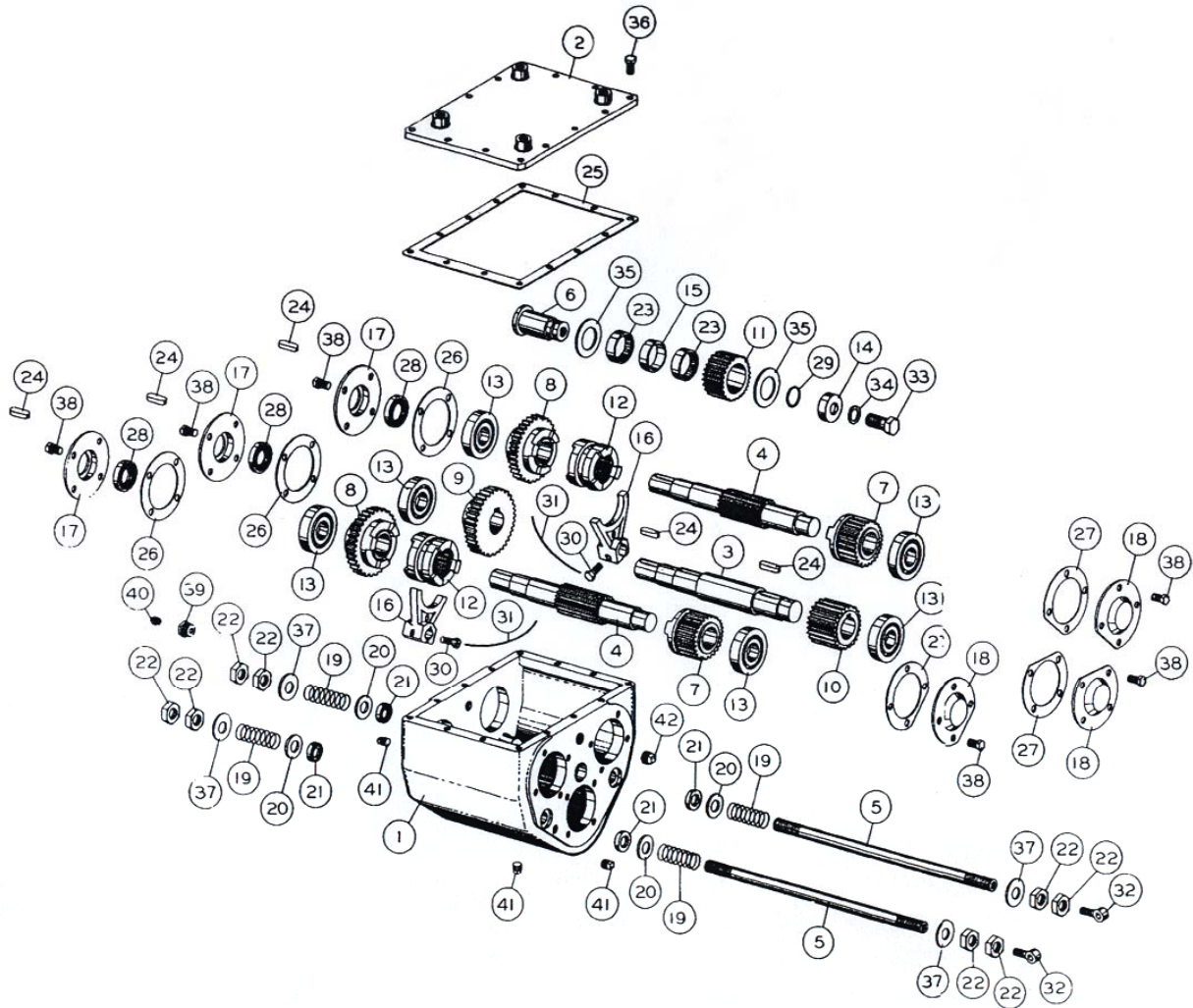




& Machine, Inc.  
989-269-8177

# MODEL RSD





Item	Description	5 Digit No.	Catalog No.	Qty
1	Gear Box Housing	23712	23712	1
2	Housing Cover Assy	23711	23711	1
3	Input Shaft	23698	23698	1
4	Output Shaft	23699	23699	2
5	Control Shaft	23700	23700	2
6	Idler Shaft	23701	23701	1
7	Direct Drive Clutch Gear Assy	81542	81542	2
8	Reverse Drive Clutch Gear Assy	81543	81543	2
9	Reverse Drive Gear	23702	23702	1
10	Direct Drive Pinion	23703	23703	1
11	Idler Gear	23704	23704	1
12	Sliding Jaw Clutch	23705	23705	2
13	Bearing	12235	39-RD6-1	6
14	Retainer	23706	23706	1
15	Spacer	23707	23707	1
16	Shifter Fork	23708	23708	2
17	Cover	23709	23709	3
18	Cover	23710	23710	3
19	Compression Spring	23713	23713	4
20	Shaft Washer	11929	17-TED-1	4
21	Seal	12067	25-B3-2	4
22	Jam Nut 3/4-16 N.F.	11059	8075J	8
23	Needle Bearing	10272	13-THW-1	2
24	Key 5/16 x 5/16 x 1 1/2	23730	23730	5
25	Housing Cover Gasket	23725	23725	1
26	Cover Gasket	23715	23715	3
27	Cover Gasket	23716	23716	3
28	Seal	23729	23729	3
29	O-Ring	12465	45-TED-2	1
30	Capscrew 3/8-16 NC x 1 1/4 Lg	23961	23961	2
31	Soft Steel Lockwire	94058	94058	2
32	Eyebolt	12134	12134	2
33	Capscrew 3/4-10 NC x 1 3/4 Lg	23404	SH075-17PH	1
34	Lockwasher 3/4	13435	A075	1
35	Thrust Bearing	23718	23718	2
36	Capscrew 3/8-16 NC x 1 Lg	21961	S037-10PH5	14
37	Plain Washer	13824	C075	4
38	Capscrew 3/8-16 NC x 1/2 Lg	13797	S037-05PH5	24
39	Reducer Bushing	18066	58-RD6-1	1
40	Vent Plug	18062	28-FTD-2	1
41	Pipe Plug	19034	E025T	3
42	Pipe Plug	18010	E050T	1

# BRADEN MODEL RSD

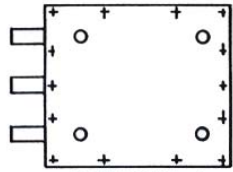
## DIMENSIONAL INFORMATION



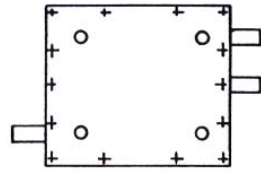
& Machine, Inc.

989-269-8177

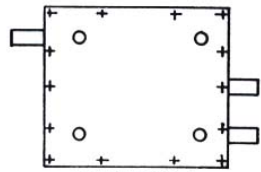
### ASSEMBLY INFORMATION



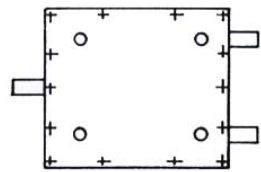
ASSEMBLY #1



ASSEMBLY #2



ASSEMBLY #3



ASSEMBLY #4

### PERFORMANCE

Speed Ratio .....	1:1
*Dynamic Torque For Each Output Shaft .....	2,050 in. lbs.
*Starting Static Torque For Each Output Shaft .....	2,700 in. lbs.
*Calculated Power For Each Output Shaft At 2,050 in. lbs. Torque and 1,000 RPM .....	32.5 HP
Maximum Speed For Shifting Under Full Rated Load .....	700 RPM
Oil Capacity — SAE 80 — 90 — 140 (or equivalent) oil .....	3.5 Pints

\*Both Output Shafts Can Be Used At These Ratings Simultaneously.

