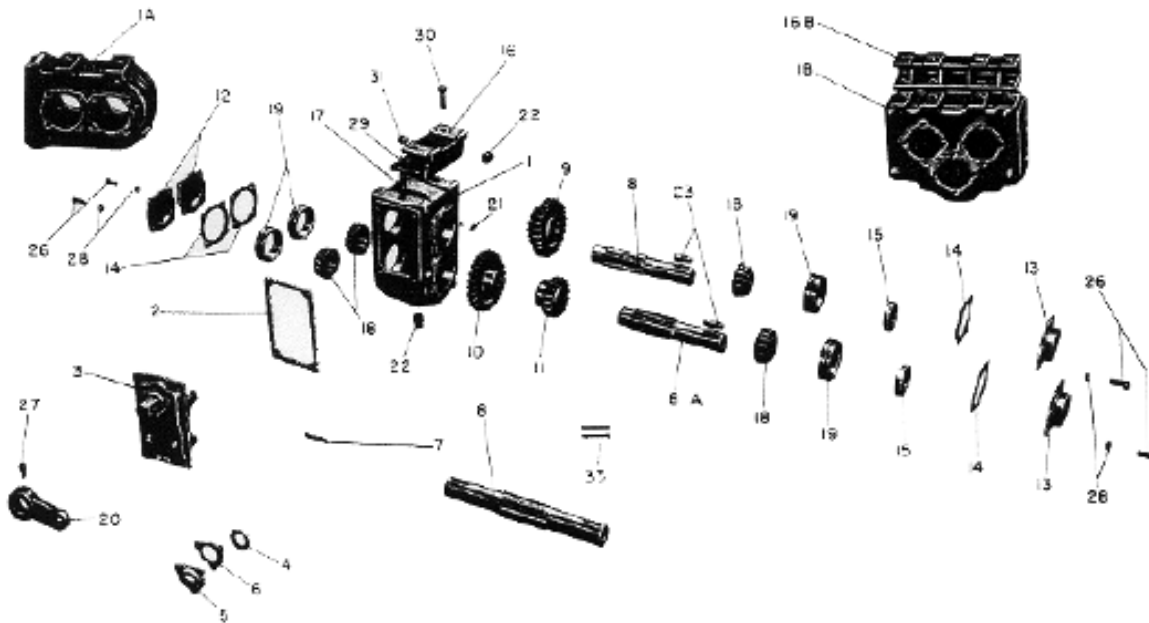


BRADEN WINCH CO.

GEAR BOX PARTS

TWO-SPEED HANGER BEARING MODELS H2, H2D, FH2, FH2D
TWO-SPEED POWER DIVIDER MODEL PHD



BRADEN Model H2 FH2 Two-Speed Hanger Bearings

		Assemblies Available:			
Model H2		Single End Input Shaft			
Model H2D		Double End Input Shaft (for driving additional equipment)			
Model FH2		Horizontal Mounted, Single End Input Shaft			
Model FH2D		Horizontal Mounted, Double End Input Shaft (for driving additional equipment)			

Valley Gear
& Machine, Inc.
989-269-8177



& Machine, Inc.
989-269-8177

ITEM	DESCRIPTION	PART NO.	CATALOG NO.	H2	H2D	FH2	FH2D	PHD
1	Gear Housing	23254		1	1			
1A	Gear Housing	11812	1-FH2-1			1	1	
1B	Gear Housing	11822	1-PD-1					1
2	Gear Housing Cover Gasket	11976	2G-S-1	1	1	1	1	2
3	Cover Assembly*	81143	2X-H2-3*	1	1			1
	Cover Assembly*	81142	2X-FH2-3*			1	1	1
4	**Shifter Shaft Grease Seal	11974	2F-S-3	1	1	1	1	2
5	**Grease Seal Retainer	11972	2A-S-1	1	1	1	1	2
6	**Retainer Gasket	11973	2AG-S-1	1	1	1	1	2
7	**Shear Pin	12103	26S-S-2	1	1	1	1	2
8	Main Shaft - Single End	12162	3-H2-2	1	1	1	1	2
	Main Shaft - Double End	12164	3-H2D-2		1		1	1
8A	Drive Shaft - Single End	12163	3-H2-3	1		1		1
9	Sliding Gear - 26 Teeth	12258	4-H2-1	1	1	1	1	2
10	High Speed Drive Gear - 26 Teeth	12561	6A-H2-1	1	1	1	1	1
11	Low Speed Drive Gear - 16 Teeth	12562	6B-H2-1	1	1	1	1	1
12	Bearing Retainer (Closed End)	12042	23-S-1	2	1	2	1	2
13	Bearing Retainer (Open End)	12060	24-S-1	2	3	2	3	4
14	Bearing Retainer Gasket	12064	24-G-S-1			As Required		
15	Main Shaft Grease Seal	12073	25-W-1	2	3	2	3	4
16	Mounting Spacer	12457	42-H2-1	1	1	1	1	
16B	Mounting Spacer	12458	42-PHD-1					1
17	Mounting Spacer Stud	12459	42S-H2-1	2	2	2	2	4
18	Main Bearing Cone	12746	81-L105A	4	4	4	4	6
19	Main Bearing Cup	12747	81-L105B	4	4	4	4	6
19A	Washer (Not Shown)	18045	M6-102W	1	1	1	1	1
20	Shift Lever	12774	92-S-3	1	1	1	1	2
21	Level Plug	18009	E012T	1	1	1	1	2
22	Drain Plug	18010	E050T	2	2	2	2	2
*23	Main Shaft Key	23367	23367	2	3	2	3	4
26	Bearing Retainer Capscrew	11763	S031-07PH5	16	16	16	16	24
	Cover Assembly Capscrew (Not Shown)	11763	S031-07PH5	4	4	4	4	8
27	Shift Lever Setscrew	13957	S031-06STK	1	1	1	1	2
28	Shakeproof Lockwasher, Item 26	11011	AK031	16	16	16	16	24
29	Lockwasher, Items 17 & 30	11026	A050	4	4	4	4	8
30	Mounting Spacer Capscrew	22698	B050-17PH8	2	2	2	2	4
31	Stud and Capscrew Nut	22701	B050PH8	4	4	4	4	8
32	Caution Plate	12777	99-H2-1	1	1			
33	Drive Gear Pin	12196	R25-200	2	2	2	2	2

***Note:**

One end of PHD housing is marked "HB" requiring cover assembly also marked "HB". This is cover assembly No. 2X-H2-3 (81143). Other end of PHD housing is marked "FHB" requiring cover assembly also marked "FHB". This is cover assembly No. 2X-FH2-3 (81142)



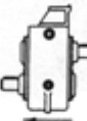


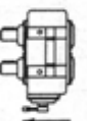


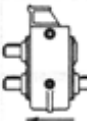

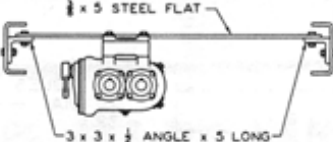
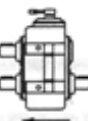

**Part of complete cover assembly, but may be ordered separately if desired.

BRADEN Model H2 & FH2 TWO-SPEED HANGER BEARINGS

High Speed Ratio .615:1

Low Speed Ratio 1.625:1

ASSEMBLY INFORMATION

DIRECTION OF ARROW INDICATES FRONT OF TRUCK				ALL SHAFT SIZES 1 1/4" STRAIGHT			
MODEL H2				MODEL FH2			
							
ASSEMBLY #1	ASSEMBLY #2	ASSEMBLY #3	ASSEMBLY #4	ASSEMBLY #1	ASSEMBLY #2	ASSEMBLY #3	ASSEMBLY #4
MODEL H2D		HANGER BEARING SUPPORT PLATE		MODEL FH2D			
							
ASSEMBLY #1	ASSEMBLY #2			ASSEMBLY #1	ASSEMBLY #2		



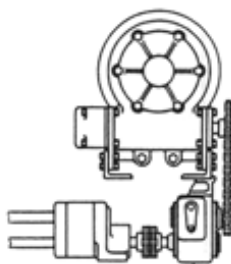
& Machine, Inc.

989-269-8177

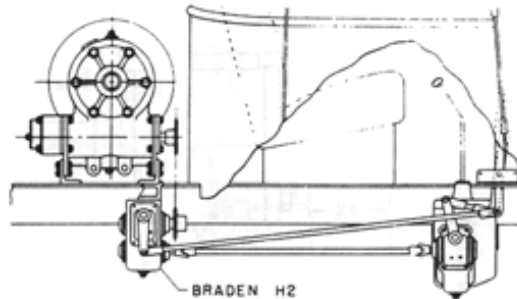
SPEED, TORQUE AND HORSEPOWER RATING

INPUT R.P.M.	OUTPUT R.P.M.		MAXIMUM SAFE INPUT TORQUE (LB. FT.)	MAXIMUM SAFE INPUT HORSEPOWER	INPUT R.P.M.	OUTPUT R.P.M.		MAXIMUM SAFE INPUT TORQUE (LB. FT.)	MAXIMUM SAFE INPUT HORSEPOWER
	LOW	HIGH				LOW	HIGH		
200	123	325	187	7.12	500	308	813	161	15.35
300	185	488	175	10.00	1000	615	1625	131	25.00
400	246	650	169	12.85	1500	923	2437	121	34.50

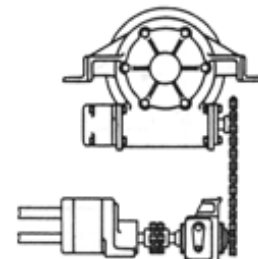
TYPICAL APPLICATIONS



BRADEN H2
2 SPEED
HANGER BEARING



BRADEN H2
2 SPEED
HANGER BEARING



BRADEN FH2
2 SPEED
HANGER BEARING

